

Vtek

Controls™

SERIES 3W

3 Way 800 & 1000 WP



Series 3W - 3 Way 1000 WP

Design Specifications

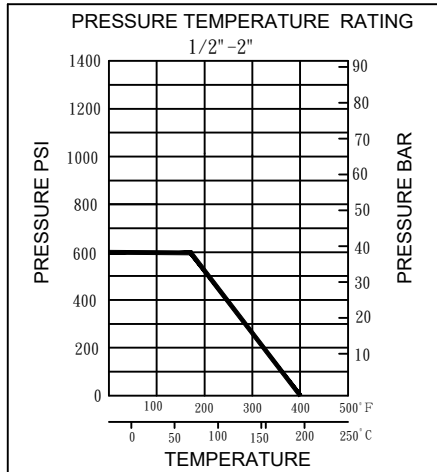
- **Sizes :** 1/4" – 2"
Full Port 800 WOG
Reduced Port 1000 WOG
- **Body Materials:** CF8M
- **Seats:** PTFE / TFM1600
- **ISO 5211 Mounting**
- **Pressure rating :** 1000psi
- **Blow-out Proof Stem**
- **General & Industrial Applications**

Standards

- **ASME NPT ASME B1.20.1, BSPP ISO 228-1**
- **Quality Assurance:** ISO 9001, 5209
- **Inspection and Test:** API 598

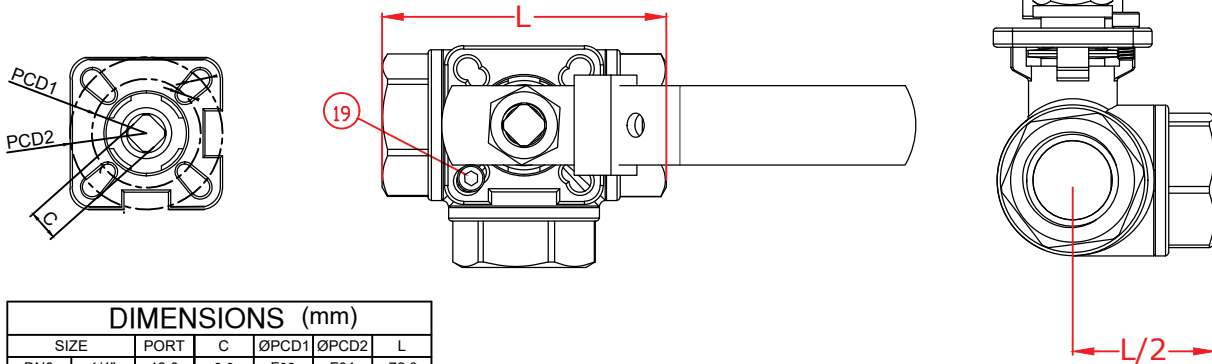
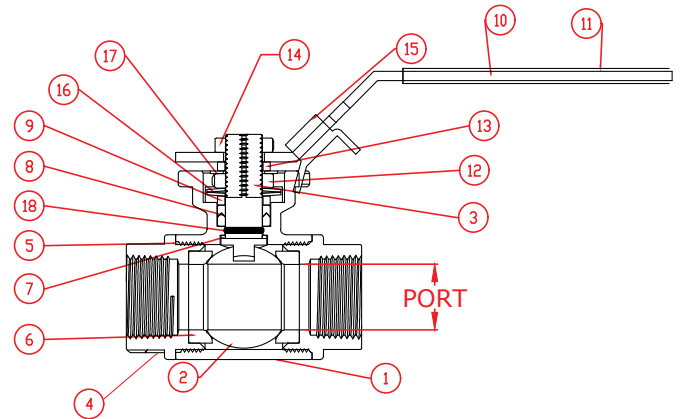
Data (Reduced Port):

Pressure Vs. Temperature Chart



Materials & Dimensions (Reduced Port)

NO.	PART NAME	MATERIAL	QTY
1	BODY	ASTM A351 GR.CF8M/A216 WCB	1
2	BALL	ASTM A182 Gr.F316	1
3	STEM	ASTM A276 Gr.316	1
4	END CAP	ASTM A351 GR.CF8M/A216 WCB	3
5	BODY SEAL	PTFE.	3
6	SEAT	RPTFE	3
7	THRUST WASHER	PTFE.	1
8	STEM PACKING	PTFE.	1
9	GLAND BUSH	ASTM A276 Gr.304	1
10	HANDLE	ASTM A276 Gr.304	1
11	HANDLE COVER	PLASTIC	1
12	STEM NUT	ASTM A276 Gr.304	1
13	HANDLE WASHHER	ASTM A276 Gr.304	1
14	HANDLE NUT	ASTM A276 Gr.304	1
15	LOCKING DEVICE	ASTM A276 Gr.304	1
16	BELLEVILLE WASHER	ASTM A276 Gr.301	2
17	TAB WASHER	ASTM A276 Gr.304	1
18	STEM O-RING	VITON	1
19	STOP PIN	ASTM A276 Gr.304	1



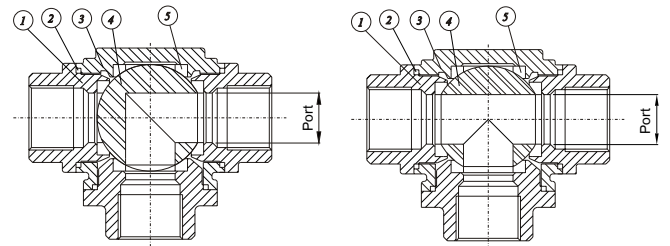
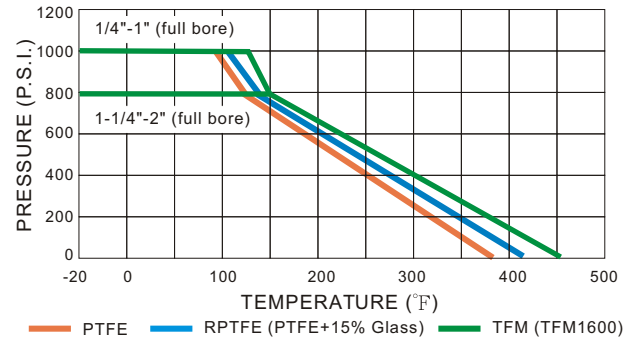
DIMENSIONS (mm)						
SIZE	PORT	C	ØPCD1	ØPCD2	L	
DN8	1/4"	12.0	9.0	F03	F04	72.0
DN10	3/8"	12.0	9.0	F03	F04	72.0
DN15	1/2"	12.0	9.0	F03	F04	72.0
DN20	3/4"	15.0	9.0	F03	F04	82.0
DN25	1"	18.0	11.0	F04	F05	90.0
DN32	1-1/4"	25.0	11.0	F04	F05	128.0
DN40	1-1/2"	32.0	14.0	F05	F07	137.0
DN50	2"	38.0	14.0	F05	F07	154.0

Data (Full Port):

Materials & Dimensions (Full Port)

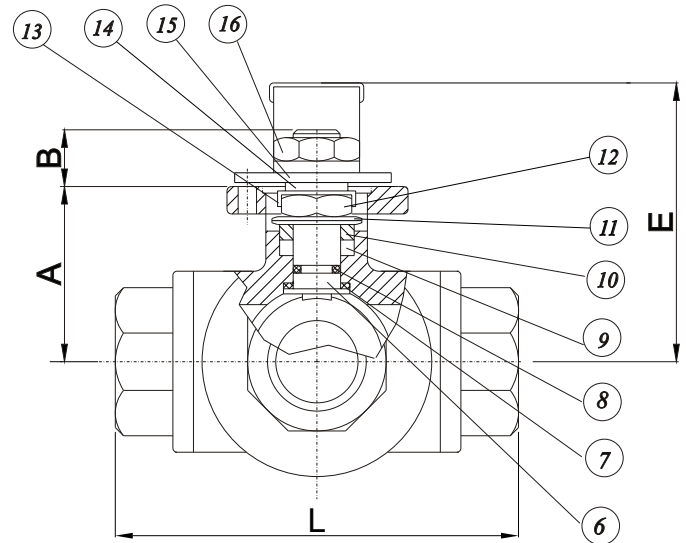
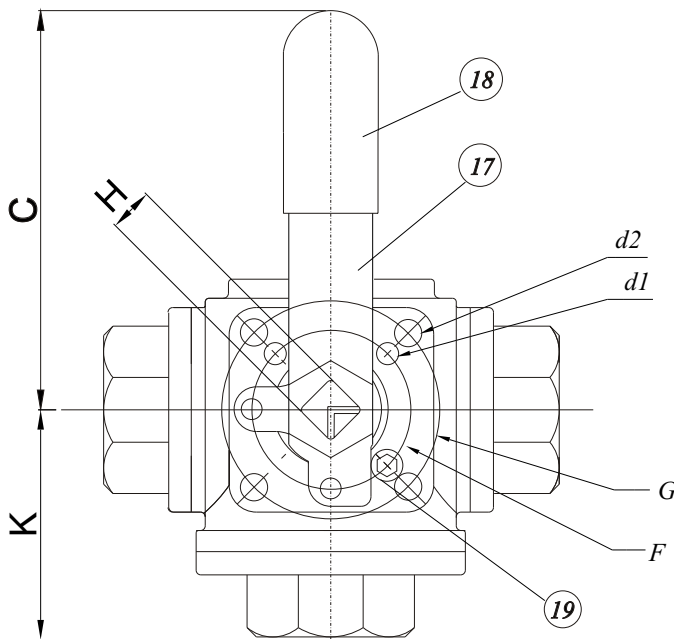
NO.	PART NAME	MATERIAL	QTY
1	END CAP	ASTM A351 GR.CF8M	3
2	BODY GASKET	ASTM A182 Gr.F316	3
3	BODY	ASTM A351 GR.CF8M	1
4	BALL	ASTM A276 Gr.316	1
5	SEAT	PTFE.	3
6	STEM	ASTM A276 Gr.316	1
7	THRUST WASHER	RPTFE	1
8	STEM O-RING	VITON	1
9	STEM PACKING	PTFE.	1
10	GLAND BUSHING	ASTM A276 Gr.304	1
11	BELLEVILLE WASHER	ASTM A240 Gr.301	1
12	STEM NUT	ASTM A276 Gr.304	1
13	SPACER WASHER	ASTM A276 Gr.304	1
14	HANDLE WASHER	ASTM A276 Gr.304	1
15	LOCKING DEVICE	ASTM A276 Gr.304	1
16	HANDLE NUT	ASTM A276 Gr.304	1
17	HANDLE	ASTM A276 Gr.304	1
18	HANDLE COVER	PLASTIC	1
19	STOP PIN	ASTM A276 Gr.304	1

Temperature Chart (Full Port)



L-port

T-port



(mm)

Size	A	B	C	d1	d2	E	F	G	H	K	L	ISO	Wt. lbs
1/4"	37	9.5	130	6.0	6.0	62	36	42	9	35	72	F03/F04	1.42
3/8"	37	9.5	130	6.0	6.0	62	36	42	9	35	72	F03/F04	1.65
1/2"	42	11	130	6.0	6.0	64	36	42	9	40.5	84.5	F03/F04	0.59
3/4"	49	14	165	6.0	7.1	82	42	50	11	49.5	100	F03/F04	0.79
1"	55	14	165	6.0	7.1	89	42	50	11	56.5	113	F04/F05	0.98
1-1/4"	63	17	205	7.1	9.2	98	50	70	14	62	125.5	F04/F05	1.26
1-1/2"	74	16	205	7.1	9.2	108	50	70	14	73.5	150	F05/F07	1.50
2"	92	21	325	9.2	11.4	140	70	102	17	87	174	F05/F07	1.97

Torque:

In-Lbs.

SIZE (FULL PORT)	1/4"	3/8"	1/2"	3/4"	1"	1-1/4"	1-1/2"	2"
SIZE (RED. PORT)	-	1/2"	3/4"	1"	1-1/4"	1-1/2"	2"	-
LIQUIDS	9	9	11	13	24	43	53	60
GASES	12	12	15	18	33	60	75	84

Vtek Controls recommends 30% Safety factor.

Options:

Options:

Spring Handle



Fugitive Emissions / Extended



Ordering:

Series	Port	Body Material	Ball	Stem	End Connection	Size
3W	FP - Full Port RP - Red. Port	S - Stainless Steel	S - 316 SS	S - 316 SS	TN - Threaded SW - Socket Weld	0025 - 1/4" 0038 - 3/8" 0050 - 1/2" 0075 - 3/4" 0100 - 1" 0125 - 1-1/4" 0150 - 1-1/2" 0200 - 2"
Seats	Packing	Body Seal	Operator	Options	Stem O-ring	
R - RTFE T - TFM™-1600	P - PTFE T - TFM™-1600	T - TFM™-1600	Blank - Bare Stem L - Locking Handle O - Oval Handle S - Spring Return Handle	Blank - No Options V - Vented Ball O - Oxygen Cleaned F - Fugitive Emissions Bonnet	Blank - Viton Standard 4 - Kalrez E - EPDM S - Silicone	

Vtek
Controls™

Vtek Controls, LLC reserves the right to make revisions to its products, specifications, literature, and related information without notice. Please visit our Website for the latest information and updates.

Vtek Controls, LLC
420-H Wards Corner Rd
Loveland, OH 45140
Ph 513-928-3630
www.vtekcontrols.com