

Vtek

Controls™

SERIES APL-410N Limit Switch



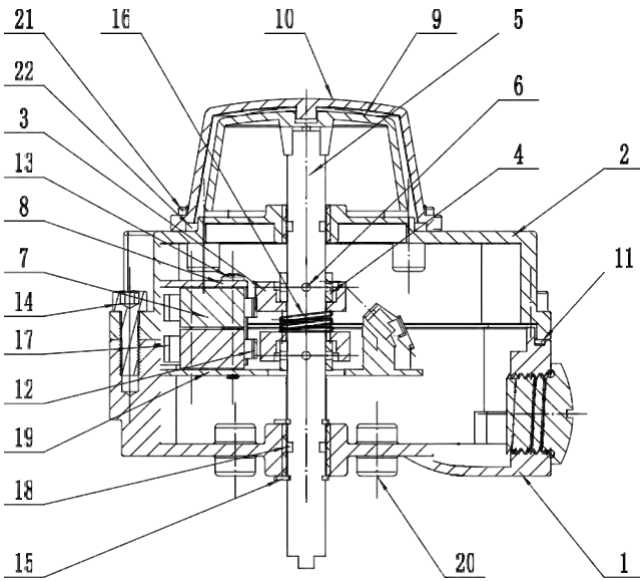
● Features

- Aluminum die cast enclosure, powder coated for superior corrosion resistance
- Weather-proof enclosure to IP67
- Twin shaft design
- Poly carbonate Dome, Shatterproof
- Red and Green Indicator
- Color coded cams easy to identify, and easy to set
- Serrated cams locked together ensures adjusted settings secured against any vibration
- Special circuit board eliminates internal wiring
- Circuit board laminated for complete corrosion protection
- Solenoid termination inside the switch box is standard
- Two conduit entries provided as standard
- Conduit entry options: ½" NPT
- Complies to Namur mounting standard
- Temperature range -25°C to 80°C
- Universal Bracket



Series APL-410N - Limit Switch

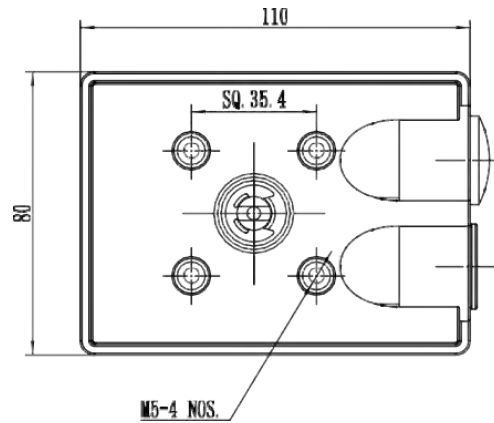
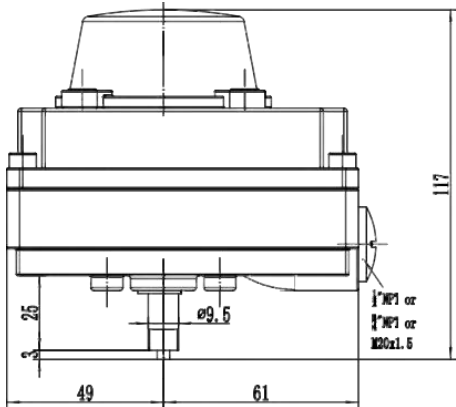
Cross Section



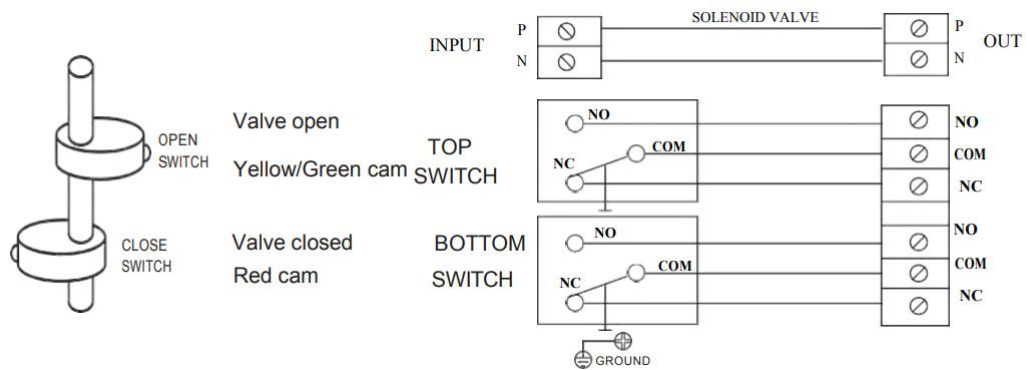
Material of Constructions

S.NO.	Description	QTY.	Material
22	'O'RING	1	NBR
21	PHILIPS HEAD SCREW	4	STAINLESS STEEL
20	SCREW FOR EARTHING	2	STAINLESS STEEL
19	CIRCUIT BOARD	1	-
18	'O'RING	2	NBR
17	PAD	1	POLYAMIDE
16	SPRING	1	STAINLESS STEEL
15	'E' TYPE CIRCLIP	1	SPRING STEEL
14	SCREW FOR COVER	4	STAINLESS STEEL
13	SCREW FOR CONN STRIP	2	STAINLESS STEEL
12	SCREW FOR MICROSWITCH	2	STAINLESS STEEL
11	GASKET	1	NBR
10	INDICATOR COVER	1	POLYCARBONATE
9	INDICATOR	1	ABS PLASTIC
8	CONNECTOR STRIP-6WAY	1	POLYIMIDE
7	MSWITCH	2	-
6	SPRING DOWEL	2	SPRING STEEL
5	SHAFT	2	STAINLESS STEEL
4	CAM-LOCK	2	POM
3	CAM	2	POLYCARBONATE
2	COVER	1	ALUMINUM ALLOY
1	HOUSING	1	ALUMINUM ALLOY

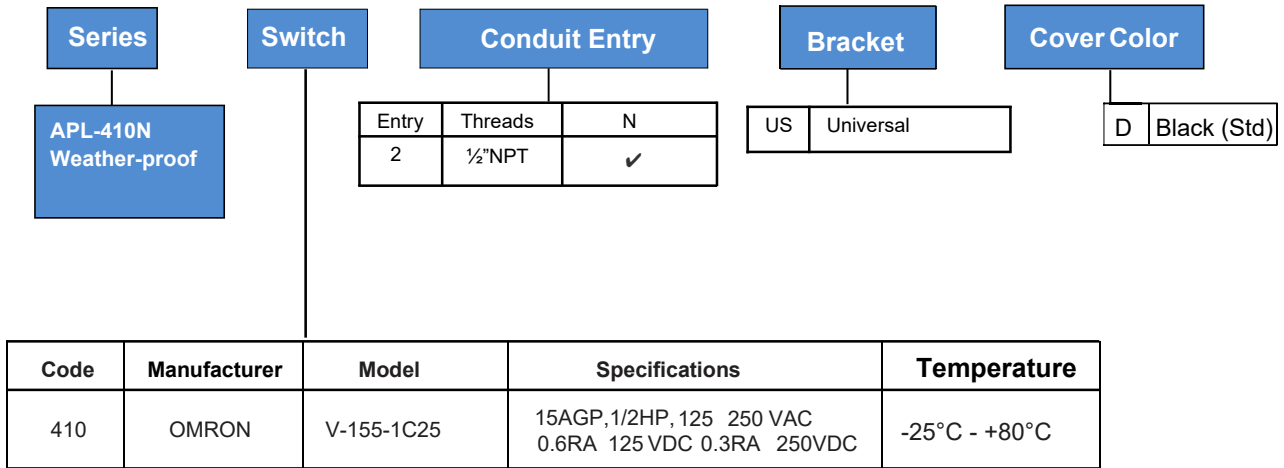
Dimension Details



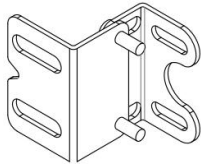
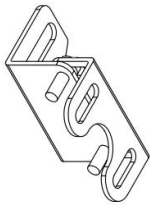
Wiring Diagram



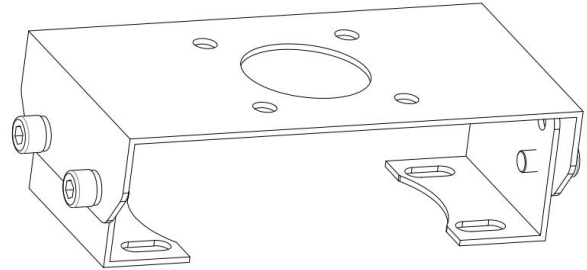
Ordering:



Universal Bracket:



SS304



Vtek Controls

Vtek Controls, LLC reserves the right to make revisions to its products, specifications, literature, and related information without notice. Please visit our Website for the latest information and updates.

Vtek Controls, LLC
 420-H Wards Corner Rd
 Loveland, OH 45140
 Ph 513-928-3630
www.vtekcontrols.com