

Vtek

Controls™

SERIES SV51

Solenoid Valve



ISO9001 CE IATF16949

Series SV51 - Solenoid

● Design Specifications

Working Pressure	29 - 145 PSIG / 2-10 bar
Max Pressure	145 psig / 10 bar
Flow Rate	24.7 SCFM / 700 L/Min
Medium	Pneumatic Air Supply (Clean Air)
Ambient Temperature	-13F to 140F / -25C to 60C
Seal	NBR+PUR
Port Size	Inlet=G1/4" Exhaust=G1/8" (FNPT)

● Features

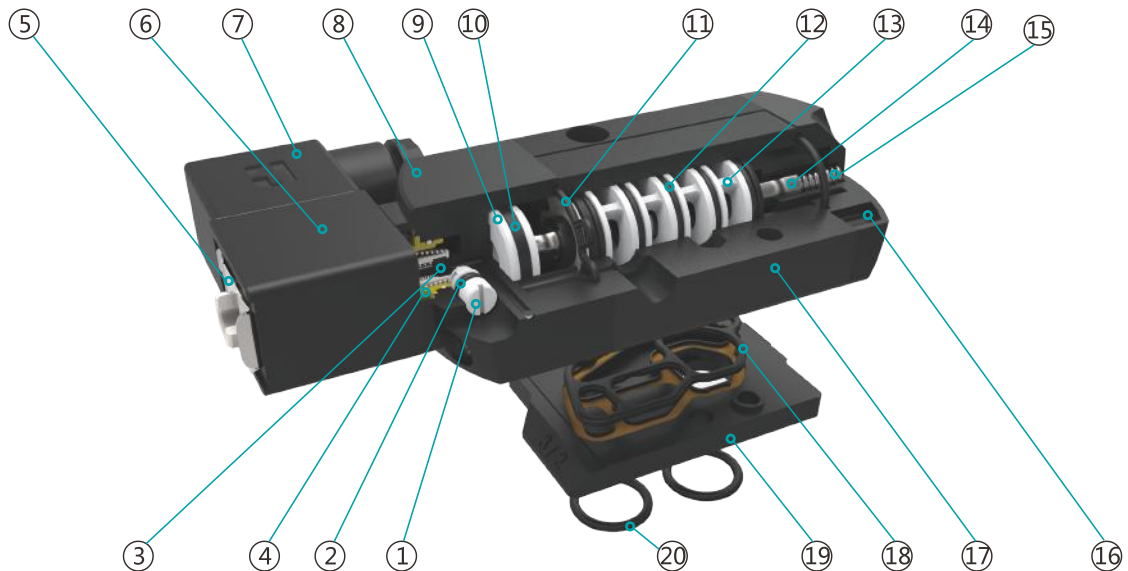
Coil Power	DC 3W; AC 4VA
Standard Voltage	DC24V / 120 VAC / 220 VAC
Voltage Tolerance	+/-10%
Insulation Class	F
Protect Class	IP65
Operation	100%

Data:

1. Aluminum valve body, with thread connector and Namur interface.
2. A slide valve can be assembled to 3/2 closed or 5/2 in order to control acting and single acting actuator.
3. With hand operator.
4. Coil can be rotated 360°.



● Internal Structure

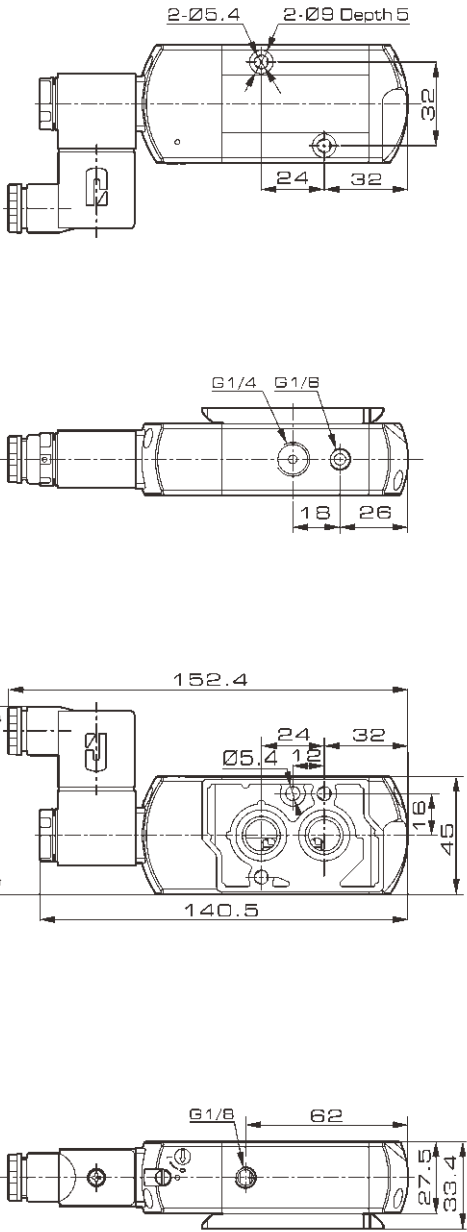


● Parts

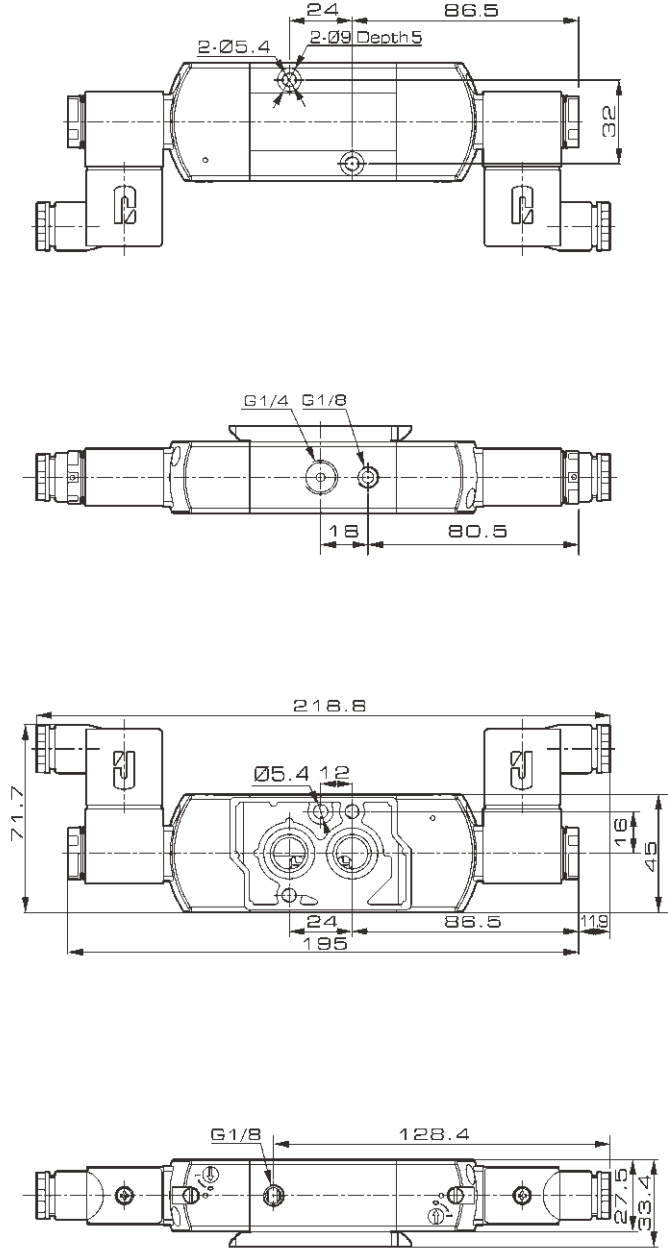
Number	Name	Number	Name
1	Manual Ride Spindle	11	Seal
2	O ring	12	O ring
3	Seal	13	Sleeve
4	Spring	14	Spool
5	Clip	15	Spring
6	Coil	16	End-cap
7	Terminal	17	Body
8	Pilot Set	18	Seal
9	Piston	19	Converting Plate
10	Piston Seal	20	O ring

Dimensions:

● NAMUR551-A01



● NAMUR551-A02



Install:

● Install Instruction



● Symbol



Ordering:

SV51	-	A02	-	DC24V	-	TYPE
↓		↓		↓		↓
Series Code		Coil Type		Standard Voltage		Coil Rating
SV51 Series		Blank: Single coil A02: Double coil		DC24V AC110V AC220V		Blank = IP67 Weather Proof EXP = CSA & FM Approved Explosion Proof



Vtek Controls, LLC
 420-H Wards Corner Rd
 Loveland, OH 45140
 Ph 513-928-3630
www.vtekcontrols.com

Vtek Controls, LLC reserves the right to make revisions to its products, specifications, literature, and related information without notice. Please visit our Website for the latest information and updates.